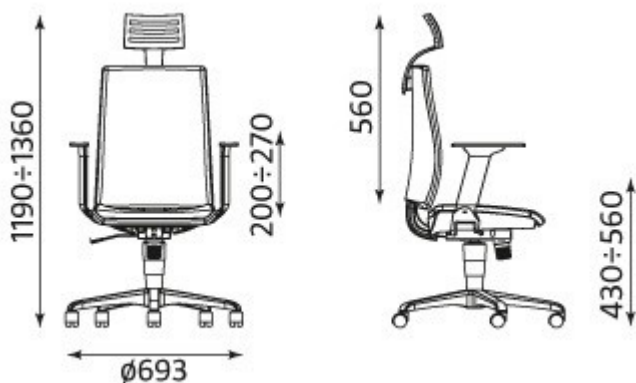
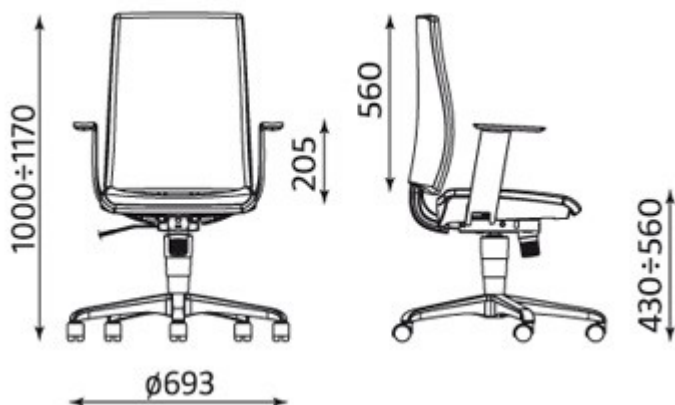


INTRATA OPERATIVE

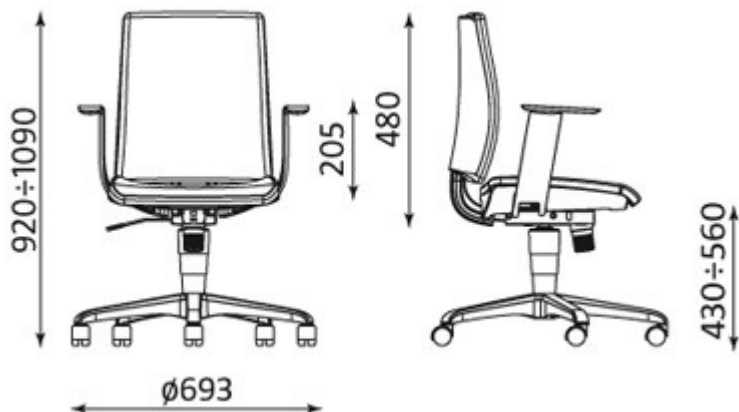
INTRATA O 12 HRU TS16 R20N z mechanizmem Active IN



INTRATA O 12 TS16 GTP36 z mechanizmem Active IN



INTRATA O 11 TS16 GTP36 z mechanizmem Active IN



INTRATA O 13 TS16 GTP36 z mechanizmem Epron Synchron

